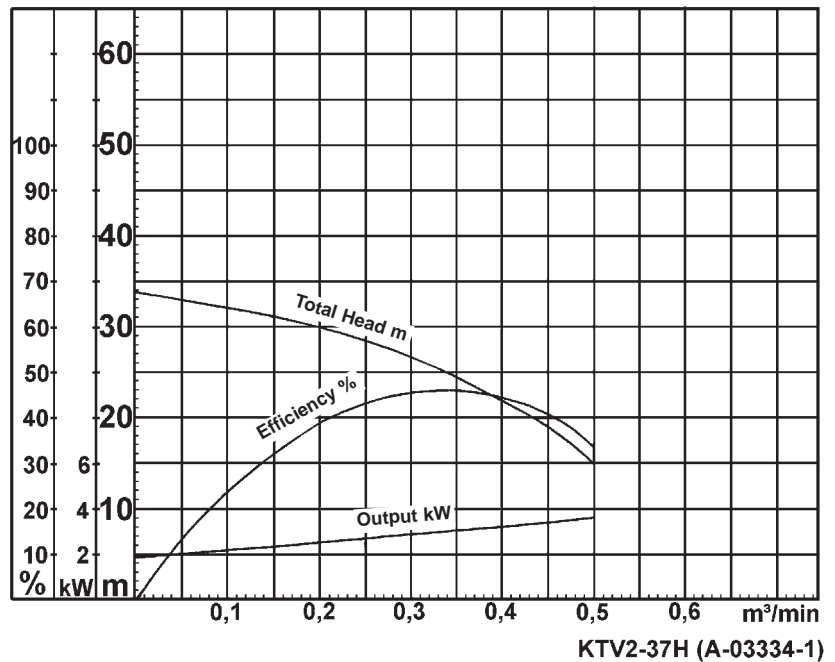
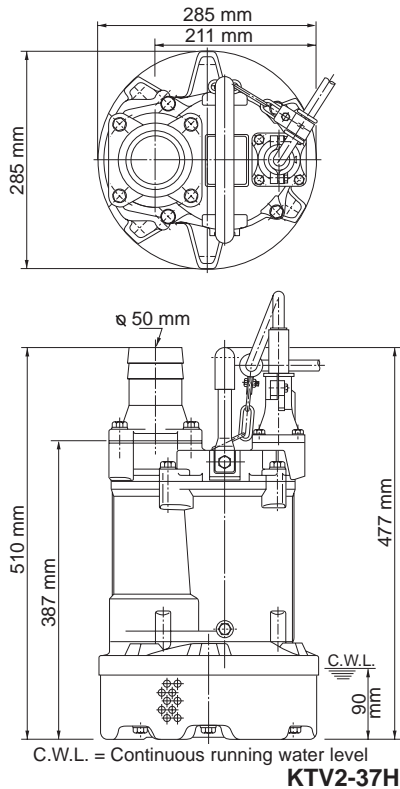


# Data Sheet KTV2-37H



## Classification

Electric submersible pump  
Protection class IP68  
Depth of submersion max. 50m  
Semi-vortex impeller  
Max. solid handling 8,5mm  
Suitable for rain water, ground water, sand carrying water

## Electric Motor

Dry-type submersible induction motor  
Insulation class E, 2 poles, 2875 r.p.m.  
Direct on line start  
Voltage: 400V, 50Hz, 3-phase  
Power input: 4,63kW  
Power output: 3,70kW  
Nominal current: 7,4A  
Start current: 48,0A

## Electric Cable

20m H07RN-F 4Cx1,5mm<sup>2</sup>

## Motor Protection

Circle thermal protector  
(snap-action bi-metal device)

## Shaft Seal

Double mechanical seal in oil bath  
additional lubrication by oil lifting device  
Primary Seal:  
silicon carbide on silicon carbide  
Secondary Seal:  
silicon carbide on silicon carbide

## Bearings

Shielded ball bearings, maintenance-free

## Materials

Impeller: FCD700 (EN-GJS-700-2)  
Casing: Synthetic rubber  
Motor frame: Aluminium alloy casting  
Shaft: SUS403 (EN-X6Cr13)

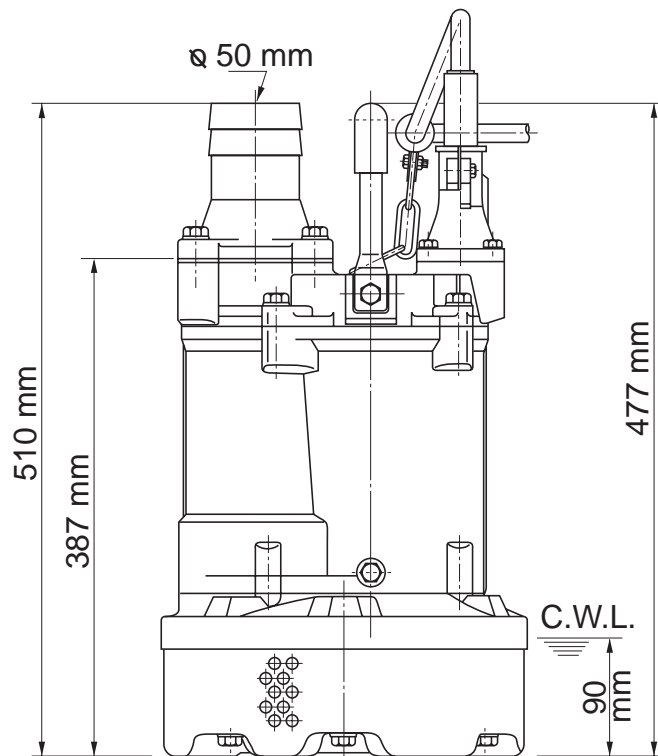
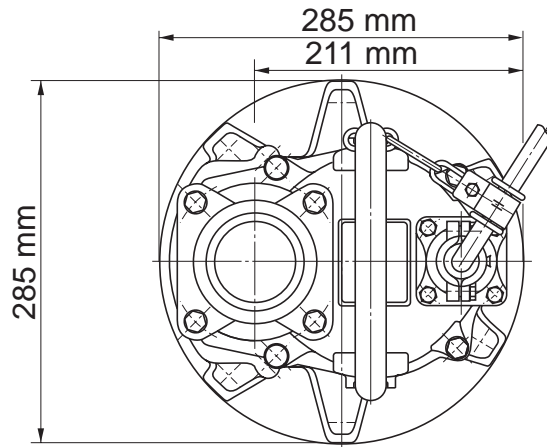
## Discharge Connection

2" (50mm) hose coupling

## Weight

36 kg (dry weight of the pump without cable)

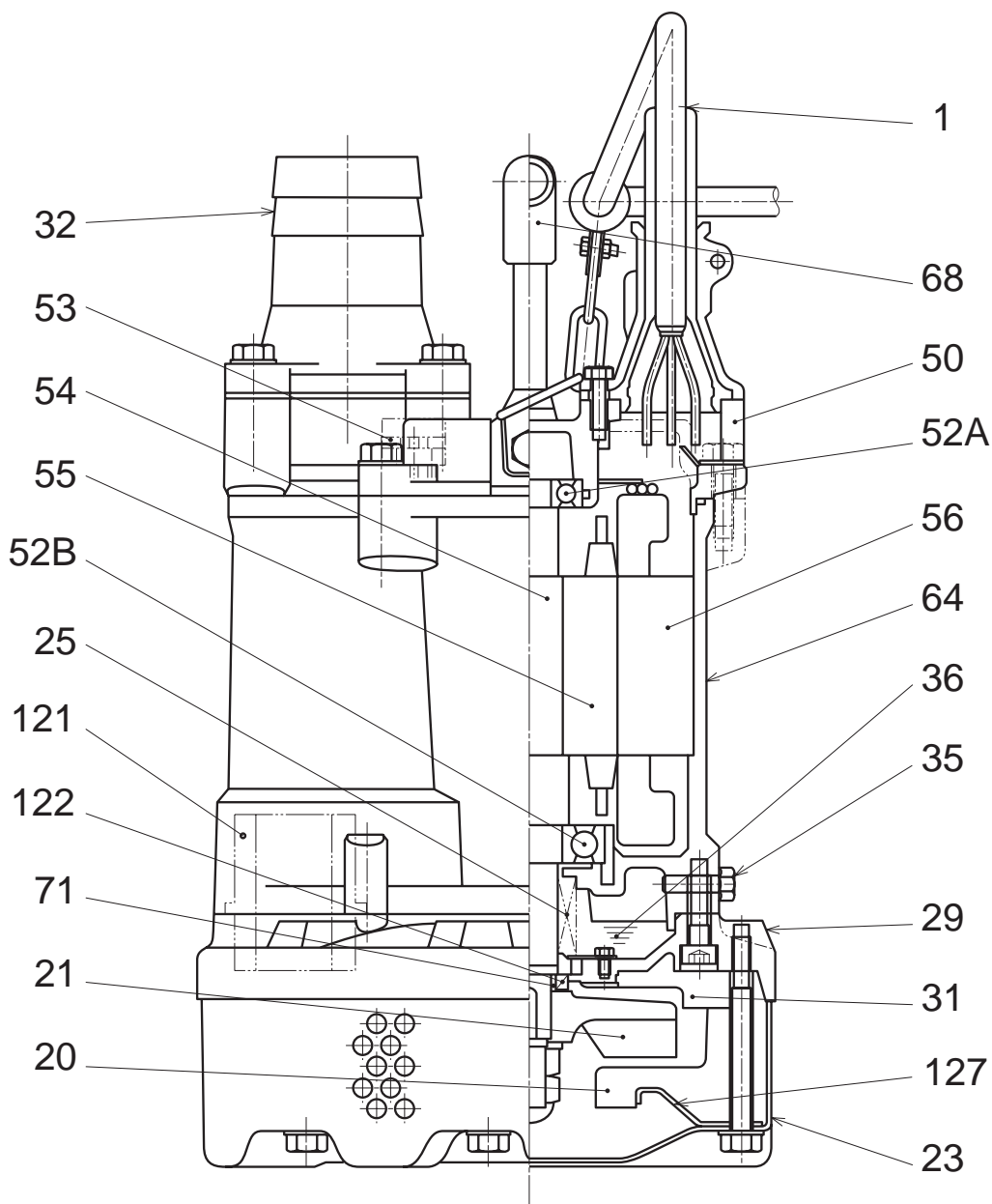
# Dimensional Drawing KTV2-37H



CWL: Continuous Running Water Level

**KTV2-37H**

# Sectional Drawing KTV2-37H

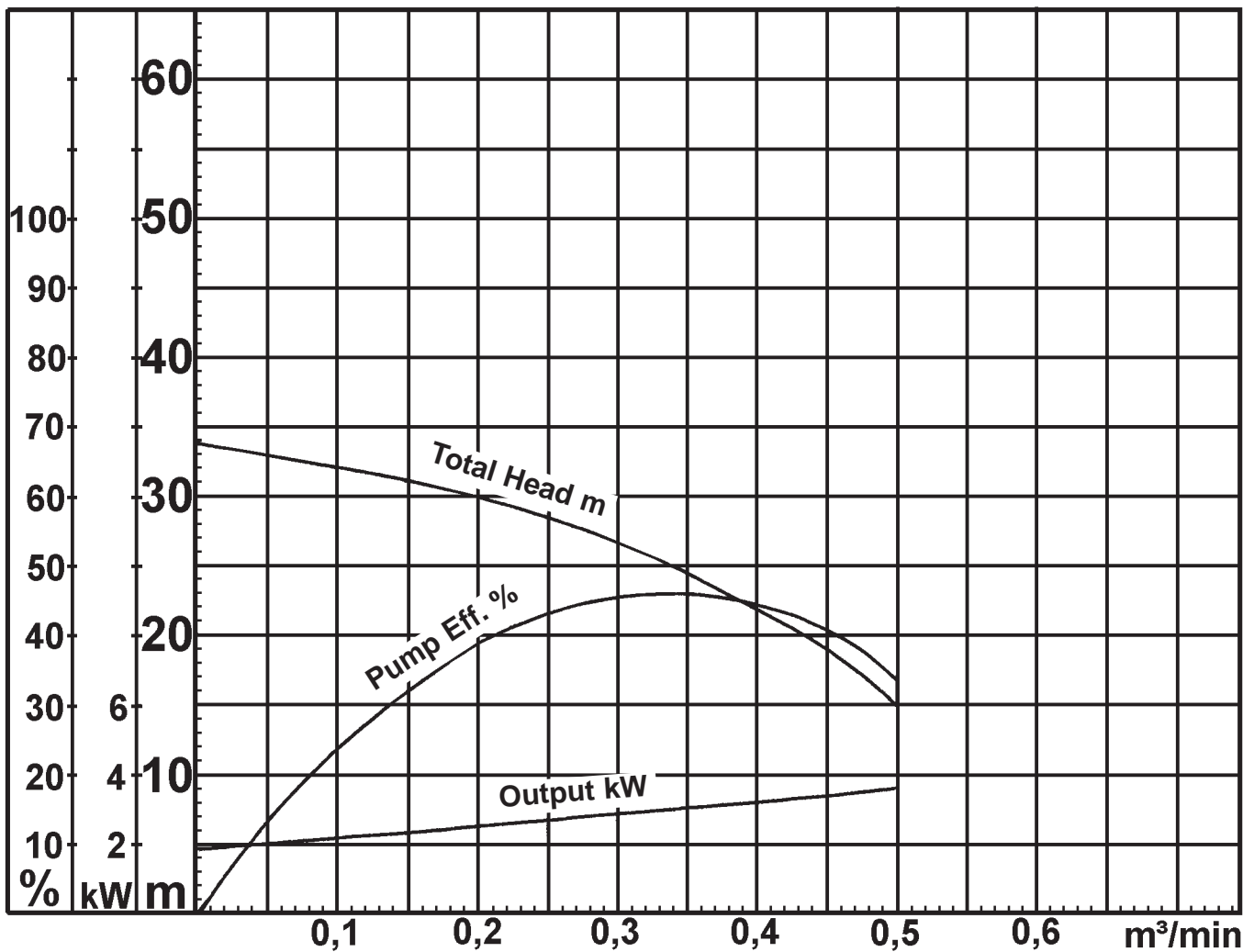


No.	Description	Qty.	Remarks	No.	Description	Qty.	Remarks
1	Cabtyre Cable	1	H07RN-F	54	Shaft	1	SUS403 (EN-X6Cr13)
20	Pump Casing	1	Rubber	55	Rotor	1	
21	Impeller	1	FCD700 (EN-GJS-700-2)	56	Stator	1	
23	Strainer	1	SPCC	64	Motor Frame	1	ADC12
25	Mechanical Seal	1	H-25	68	Handle	1	SPC + NBR
29	Oil Casing	1	ADC12	71	Shaft Sleeve	1	SUS304 (EN-X5CrNi18-10)
31	Liner	1	Rubber	121	Packing	1	Rubber
32	Hose Coupling	1	ADC12	122	V-Ring	1	NBR
35	Oil Plug	1	SUS304 (EN-X5CrNi18-10)	127	Retainer	1	SPCC
36	Lubricant		Turbine Oil (ISO VG32)				
50	Motor Bracket	1	ADC12				
52A	Upper Bearing	1	6204ZZC3				
52B	Lower Bearing	1	6306ZZC3				
53	Motor Protector	1					

# Pump Performance Curve

## KTV2-37H

Discharge Bore	50 mm
Total Head	30 m
Capacity	0,20 m <sup>3</sup> /min
Motor Output	3,70 kW
Motor Input	4,63 kW
Phase	3
Voltage	400 V
Frequency	50 Hz
Rated Current	7,4 A
Starting Current	48,0 A
Poles	2
Revolution	S.S. 2870 r.p.m.
Starting Method	direct on line
Insulation Class	E



KTV2-37H (A-03334-1)