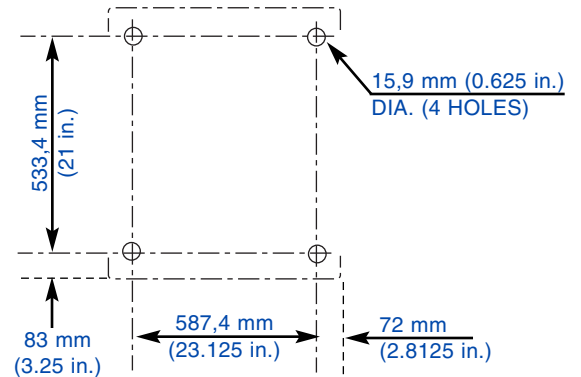
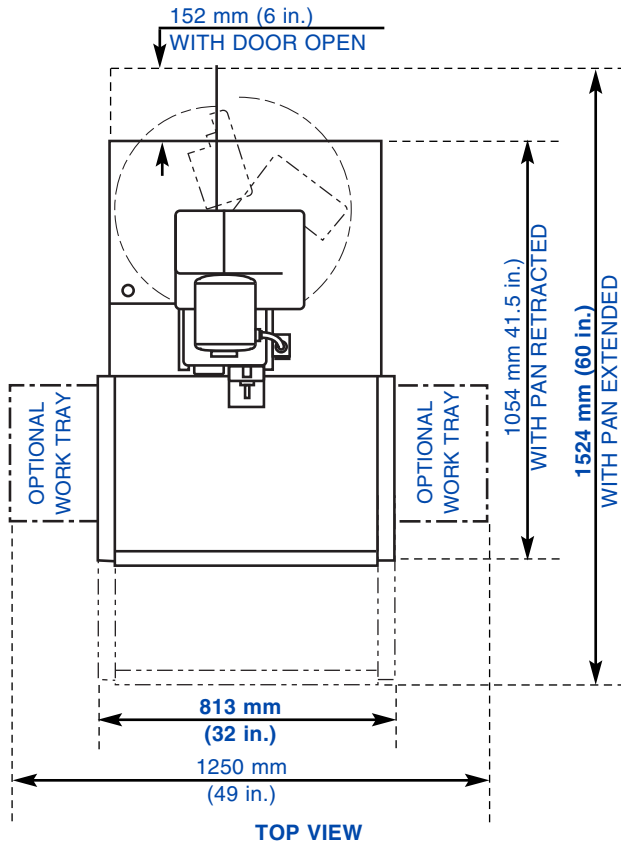
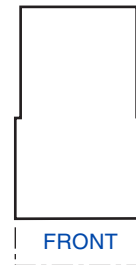


SPECIFICATIONS and FLOOR PLAN LAYOUT for SUNNEN® MBB-1660 HONING MACHINES



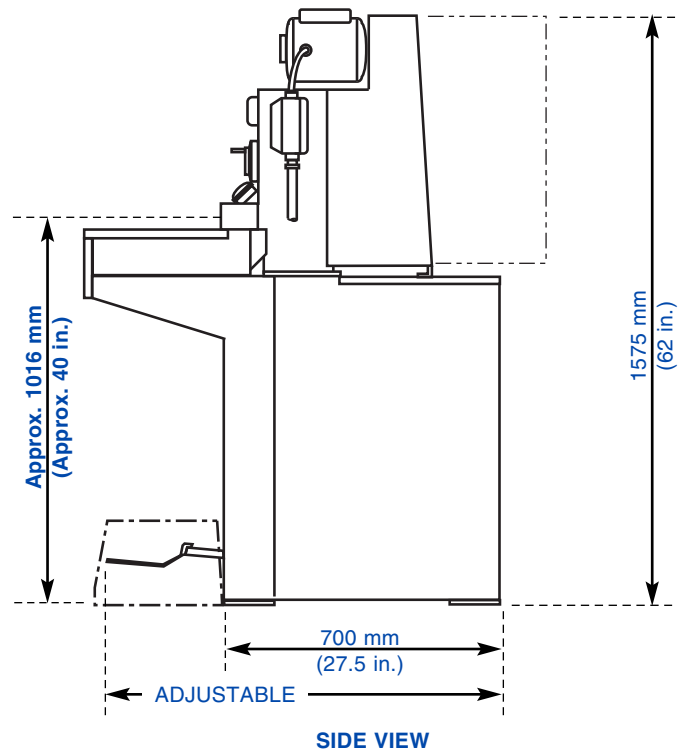
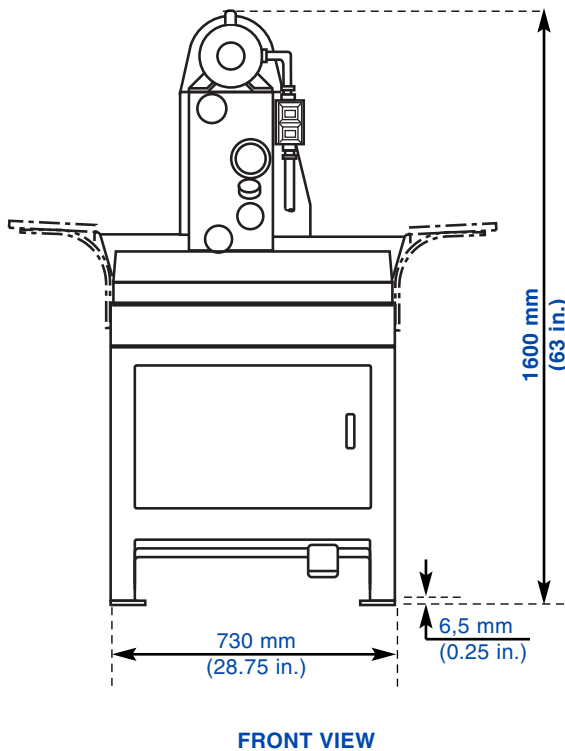
Scale:

1 mm = 48 mm
1/4 in. = 1 ft.



Weight Installed:
Approximately 287 kg. (630 lbs.) including coolant.

Floor Loading:
Less than 739 kg/sm (151 lbs/sf).



IMPORTANT NOTE

When ordering parts for, or requesting information about your machine, include the serial number of your machine.



GENERAL INFORMATION & SPECIFICATIONS

Sunnen® Honing Machine - Model MBB-1660

Diameter Range (ID)¹-

Manual Stroking: 1,5 to 165 mm (.060 - 6.500 in.)

Power Stroking: 1,5 to 95 mm (.060 - 3.750 in.) w/optional KKN-100

Workpiece Weight¹: 2,7 kg (6 lbs.)

Stroke Length Range¹: Up to 406 mm (16 in.)

Spindle Speeds: 200, 250, 320, 400, 500, 640, 800, 1000, 1270, 1600, 2000, & 2500 rpm

Spindle Motor: 0,37 kw (1/2 hp)

Coolant Pump: Centrifugal pump driven off spindle motor.

Coolant Capacity: 60 liters (16 gallons)

Coolant Requirements: Sunnen Industrial Honing Fluids

Floor Space: 1524 D x 813 W x 1600 H mm (60 x 32 x 63 in.)

Floor Weight (W/Coolant): 287 kg (630 lbs)

(W/Coolant & KKN-100²): 306 kg (675 lbs)

Floor Load: 739 kg/sq meter (151 lbs/sq ft)

Electrical Requirements: 230/460 V, 60 Hz, 3 Ph; 115/230, 60, 1
220/380/440 V, 50 Hz, 3 Ph; 220, 50, 1

Color: Pearl Gray / Pewter Gray / Black Trim

Noise Emission: Less than 70 dB(A) continuous
Load (max. noise) condition in a typical factory environment.

¹ Diameter range, length range, and workpiece weight are contingent on workpiece and application.

² KKN-100 Square Honing Fixture (see Sunnen Bore Sizing and Finishing Catalog, X-SP-5500).

"SUNNEN® AND THE SUNNEN LOGO ARE REGISTERED TRADEMARKS OF SUNNEN PRODUCTS COMPANY."

Sunnen® reserves the right to change or revise specifications and product design in connection with any feature of our products contained herein. Such changes do not entitle the buyer to corresponding changes, improvements, additions, or replacements for equipment, supplies or accessories previously sold. Information contained herein is considered to be accurate based on available information at the time of printing. Should any discrepancy of information arise, Sunnen recommends that user verify discrepancy with Sunnen before proceeding.



SUNNEN PRODUCTS COMPANY

7910 Manchester Road, St. Louis, MO 63143 U.S.A.
Phone: 314-781-2100 Fax: 314-781-2268
U.S.A. Toll-Free Sales and Service: 1-800-325-3670
International Division Fax: 314-781-6128

<http://www.sunnen.com>
e-mail: sunnen@sunnen.com

SWITZERLAND – SUNNEN AG
Phone: ++ 41 71 649 33 33 Fax: ++ 41 71 649 34 34
www.sunnen.ch e-mail: info@sunnen.ch

ITALY – SUNNEN ITALIA S.R.L.
Phone: 39 02 383 417 1 Fax: 39 02 383 417 50
www.sunnenitalia.com e-mail: sunnen@sunnenitalia.com

FRANCE – SUNNEN SAS
Phone: +33 01 69 30 0000 Fax: +33 01 69 30 1111
www.sunnen.fr e-mail: info@sunnen.fr

BELGIUM – SUNNEN BENELUX BVBA
Phone: +32 38 80 28 00 Fax: +32 38 44 39 01
www.sunnen.be e-mail: info@sunnen.be

UK – SUNNEN PRODUCTS LTD.
Phone: ++ 44 1442 39 39 39 Fax: ++ 44 1442 39 12 12
www.sunnen.co.uk e-mail: hemel@sunnen.co.uk

POLAND – SUNNEN POLSKA SP. Z O.O.
Phone: +48 22 814 34 29 Fax: +48 22 814 34 28
www.sunnen.pl e-mail: sunnen@sunnen.pl

RUSSIA – SUNNEN RUS
Phone: +7 495 258 43 43 Fax: +7 495 258 91 75
www.sunnen.ru e-mail: sunnen@sunnen-russia.ru

CZECH REPUBLIC – SUNNEN S.R.O.
Phone: +420 383 376 317 Fax: +420 383 376 316
www.sunnen.cz e-mail: sunnen@sunnen.cz

CHINA – SHANGHAI SUNNEN MECHANICAL CO., LTD.
Phone: 86 21 5813 3322 Fax: 86 21 5813 2299
www.sunnen.sh.cn e-mail: shsunnen@sunnen.sh.cn