

Vibrator 50 Hz Standard, 4 poles

POLES: 2 4 6 8

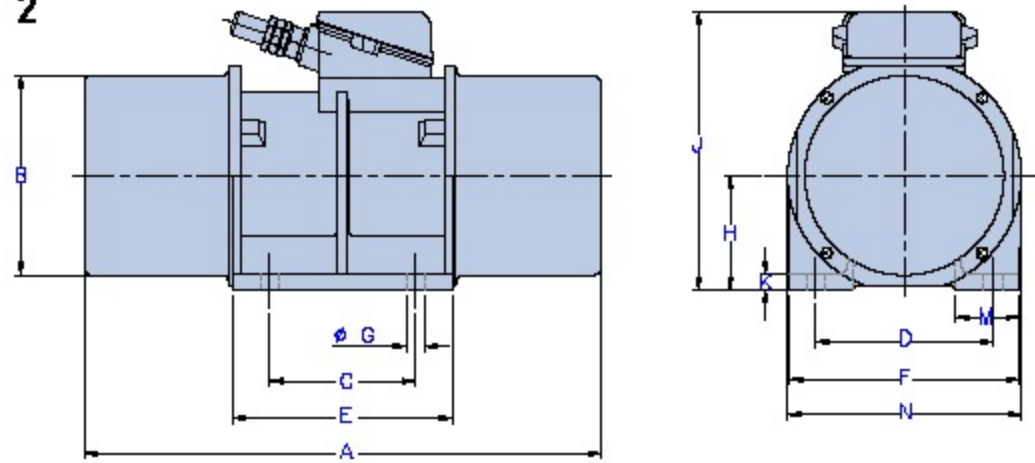
ADDITIONAL INFO TECHN KEY N

Type:	r.p.m	work.mom	centrifugal force		weight	sketch	A	B	C	D	E	F	G	H	J	K	M	N
		[kgcm]	[N]	[kg]	[kg]		[mm]											
AX 30-4	1460	30	3511	358	41	2	384	192	140	170	212	224	18	112	270	17	61	228
AX 45-4		45	5256	536	42	2	384											
BX 60-4		60	7010	715	46	2	384											
BX 90-4		90	10523	1073	50	2	416											
BX 150-4		150	17534	1788	60	2	496											
CX 150-4		150	17534	1788	91	3	463											
CX 200-4		200	23379	2384	96	3	463	250	83	229	252	267	21	142	318	24	70	289
DX 200-4		200	23379	2384	121	3	508											
DX 300-4		300	35059	3575	129	3	508	285	105	248	297	292	21	151	346	28	70	325
DX 415-4		415	48504	4946	140	3	588											
KX 800-4		800	93506	9535	388	3	962											
HX 1000-4		1000	116876	11918	520	4	1008	420	123	360	508	452	26	238	497	35	115	466

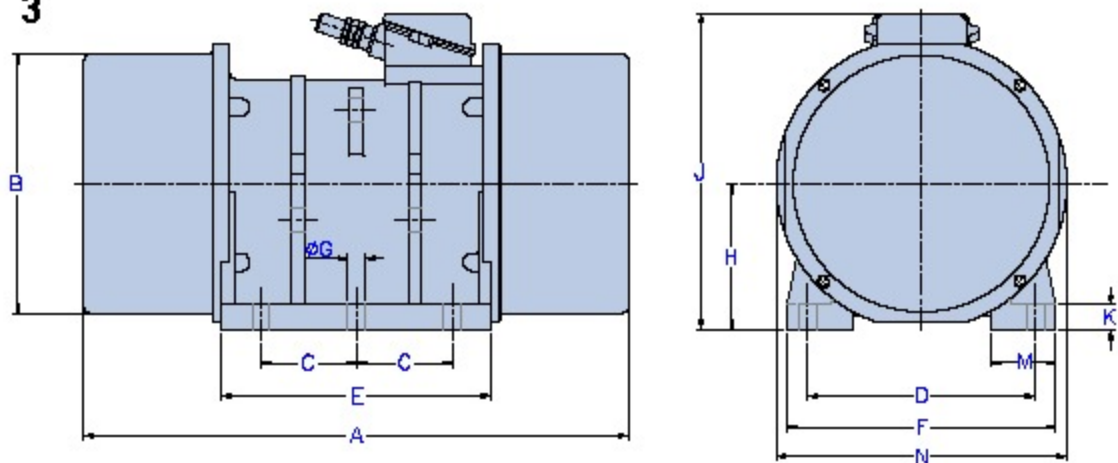
Type:	power	current	cos φ	Ia/In	Ma/Mn	efficiency
	kW	A /400V				η%
AX 30-4	0.70	1.65	0.84	4.6	2.1	72
AX 45-4	0.70	1.66	0.84	4.6	2.1	72
BX 60-4	0.70	1.66	0.84	4.6	2.1	72
BX 90-4	0.70	1.66	0.84	4.6	2.1	72
BX 150-4	0.70	1.66	0.84	4.6	2.1	72
CX 150-4	1.30	2.55	0.86	6.4	2.1	85
CX 200-4	1.30	2.55	0.86	6.4	2.1	85
DX 200-4	1.70	3.35	0.86	5.8	1.8	86
DX 300-4	1.70	3.35	0.86	5.8	1.8	86
DX 415-4	2.00	4.10	0.85	6.5	1.7	83
KX 800-4	6.00	11.70	0.81	8.8	2.9	92
HX 1000-4	6.50	11.90	0.88	8.5	2.9	90

Specifications subject to change without notice or obligation.

2



3



4

