

# Vibrator 50 Hz Standard, 6 poles

POLES: 2 4 6 8

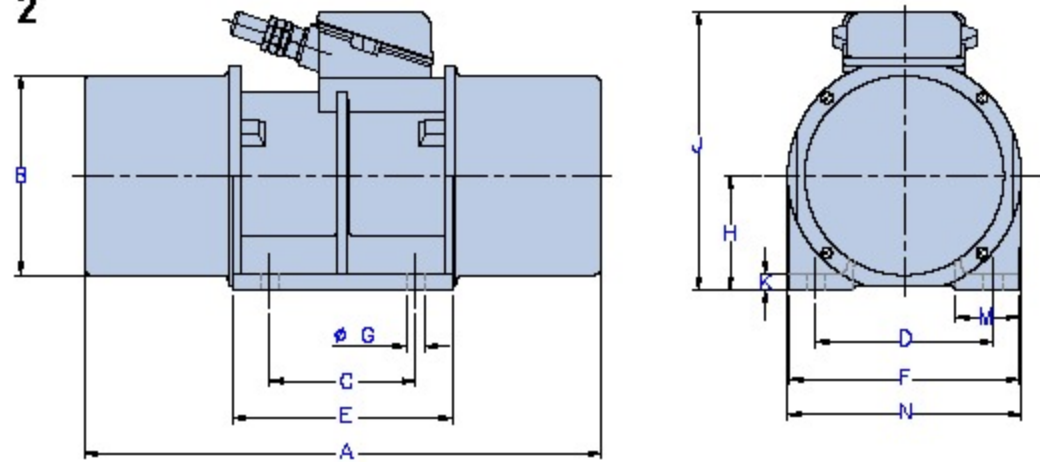
TECHNICAL KEY NOT

Type:	r.p.m	work mom [kgcm]	centrifugal force		weight [kg]	sketch	A [mm]	B	C	D	E	F	G	H	J	K	M	N
			[N]	[kg]														
BX 40-6	980	40	2108	215	43	2	340	192	140	170	212	224	18	112	270	17	61	228
BX 60-6		60	3158	322	46	2	384											
BX 90-6		90	4737	483	50	2	416											
BX 150-6		150	7894	805	60	2	496											
CX 200-6		200	10532	1074	94	3	463	250	83	229	252	267	21	142	318	24	70	289
CX 250-6		250	13161	1342	100	3	513											
CX 300-6		300	15799	1611	106	3	513											
DX 300-6		300	15799	1611	129	3	508	285	105	248	297	292	21	151	346	28	70	325
DX 500-6		500	26331	2685	150	3	588											
DX 501-6		500	26331	2685	152	3	632											
DX 600-6		600	31597	3222	164	3	632											
EX 500-6		500	26331	2685	204	3	609	320	117.5	280	332	330	21	179	392	30	84	362
EX 700-6		700	36863	3759	221	3	669											
KX 1500-6		1500	78993	8055	444	3	962	373	150	320	423	401	32	201	443	28	103	410
KX 2000-6		2000	105323	10740	482	3												
HX 2000-6		2000	105323	10740	570	4	1008	420	123	360	508	452	26	238	497	35	115	466
HX 2500-6	2500	131654	13425	642	4	1068												

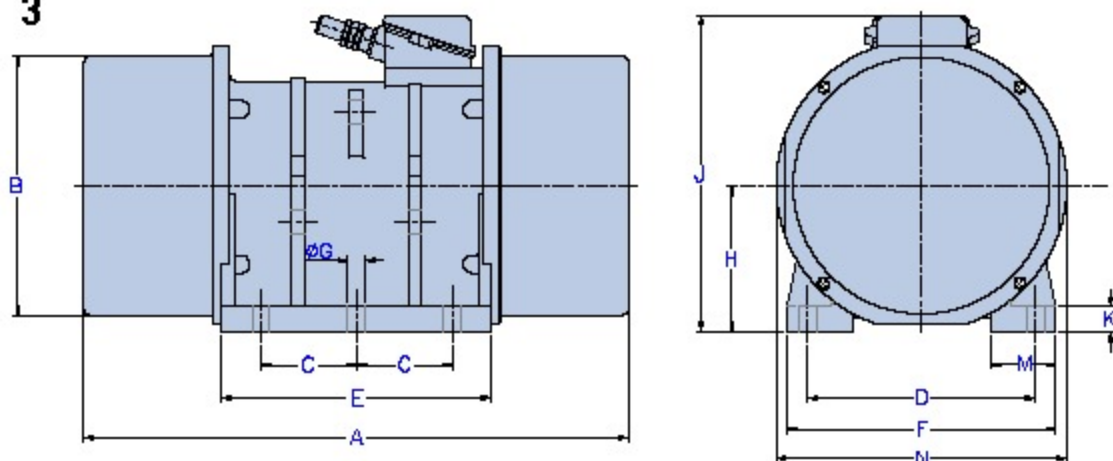
Type:	power kW	current A/400V	cos φ	Ia/In	Ma/Mn	efficiency η%
BX 60-6	0.45	1.40	0.82	2.5	1.6	57
BX 90-6	0.45	1.40	0.82	2.5	1.6	57
BX 150-6	0.45	1.40	0.82	2.5	1.6	57
CX 200-6	1.20	3.04	0.82	3.9	1.4	69
CX 250-6	1.20	3.05	0.82	3.9	1.4	69
CX 300-6	1.20	3.05	0.82	3.9	1.4	69
DX 300-6	1.90	4.65	0.82	3.9	1.4	72
DX 500-6	1.90	4.30	0.82	4.2	1.4	78
DX 501-6	1.90	4.30	0.82	4.2	1.4	78
DX 600-6	1.90	4.30	0.82	4.2	1.4	78
KX 1500-6	6.50	14.30	0.73	6.5	2.1	90
KX 2000-6	6.50	14.30	0.73	6.5	2.1	90
HX 2000-6	7.50	16.20	0.79	8.0	2.1	85
HX 2500-6	10.00	24.80	0.66	10.4	2.8	88

Specifications subject to change without notice or obligation.

2



3



4

