

LE 10000 S

The air heater LE 10000 S is equipped with a performance range of 10 kW at 3 x 230 V, of 11 kW and 17 kW at 3 x 400 V, as well as 16 kW at 3 x 480 V. The air supply and air outlet connections are compatible with the successor LHS 60L and its accessories. The LE 10000 S is also available as a version for a supply temperature of up to 160°C, and is therefore especially suitable for recycling applications.

Air heater

LE 10000 S



Combination possibilities

Leister air heater with Leister blower at maximum heat power. Hot-air temperature 3 mm after air outlet, measured at the hottest point, at hose length 3 m and unimpeded air outflow. Air flow in l/min when air heater is not heated and air inlet temp. is 20 °C.

Power Type	Number LE × Power consumption W	Air flow l/min	Temperature °C
SILENCE	1 × 9500	1 × 2000	400
SILENCE	2 × 10000	2 × 1500	460
ASO	2 × 9500	2 × 2450	320
ASO	4 × 10000	4 × 2100	350
AIRPACK	2 × 10000	2 × 1600	440

Air flow and temperature specifications may deviate from ideal values due to modifications of the hot-air system (nozzles, hose length, etc.).

Blowers and accessories in brochure «Industrial processes with hot air».

Technical data

LE 10000 S

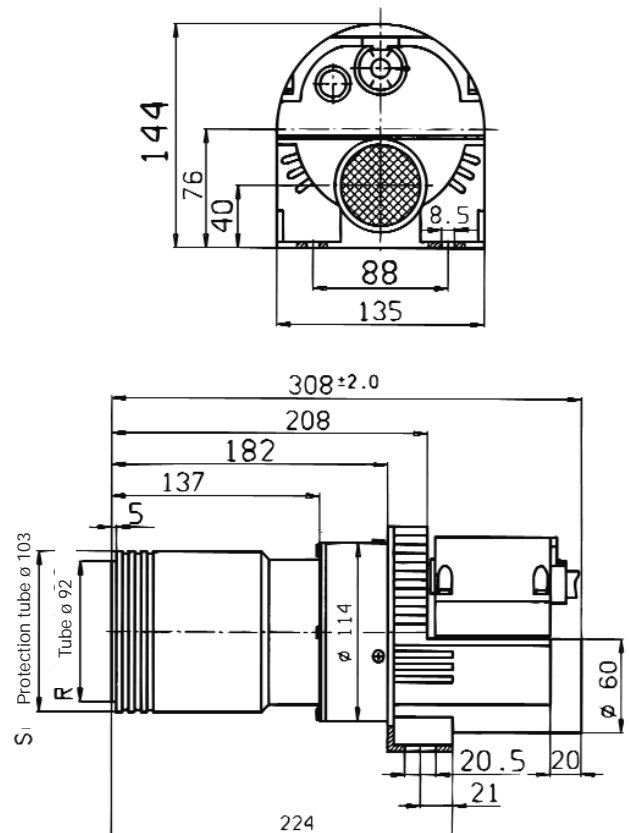
	Without Electronic	With Electronic	For KSR DIGITAL
Heating power steplessly adjustable with potentiometer		•	
Thermoswitch for device protection		•	•
Integrated heating element protection		•	•
Remote control interface for KSR DIGITAL temperature regulator or external PLC control 0 – 12 V incl. 5 m cable and plug			•
Max. air outlet temperature °C,	650	650	650
Min. air flow l/min. 10 and 11 kW	1700	1000	1000
16 and 17 kW	2200	1750	1750
Max. air inlet temperature °C	100	50	50
Max. ambient temperature °C	100	60	60
Weight kg	3.4	3.4	3.4
Mark of conformity	CE	CE	CE
Approval mark		Ⓢ	
Protection classe I	⊕	⊕	⊕

Voltage	V –	3 × 230	3 × 400	3 × 400	3 × 480
Power consumption	kW	10	11	17	16
Without Electronic	Order no.	102.753	102.768	102.770	102.779
with Electronic	Order no.	102.747	102.760	102.765	102.777
for KSR DIGITAL	Order no.		110.968		112.372
Without Electronic					
Supply air					
max. temp. 160 °C	Order no.			113.967	

Additional versions on request

Accessories in brochure «Industrial processes with hot air», page 29

Einbaumasse in mm



Leister Le 10000 S Air Heater: Data Sheet



Tel: +27 11 966 9800 (JHB)
+27 21 762 8995 (CT)
sales@unitemp.com
www.unitemp.com/contact